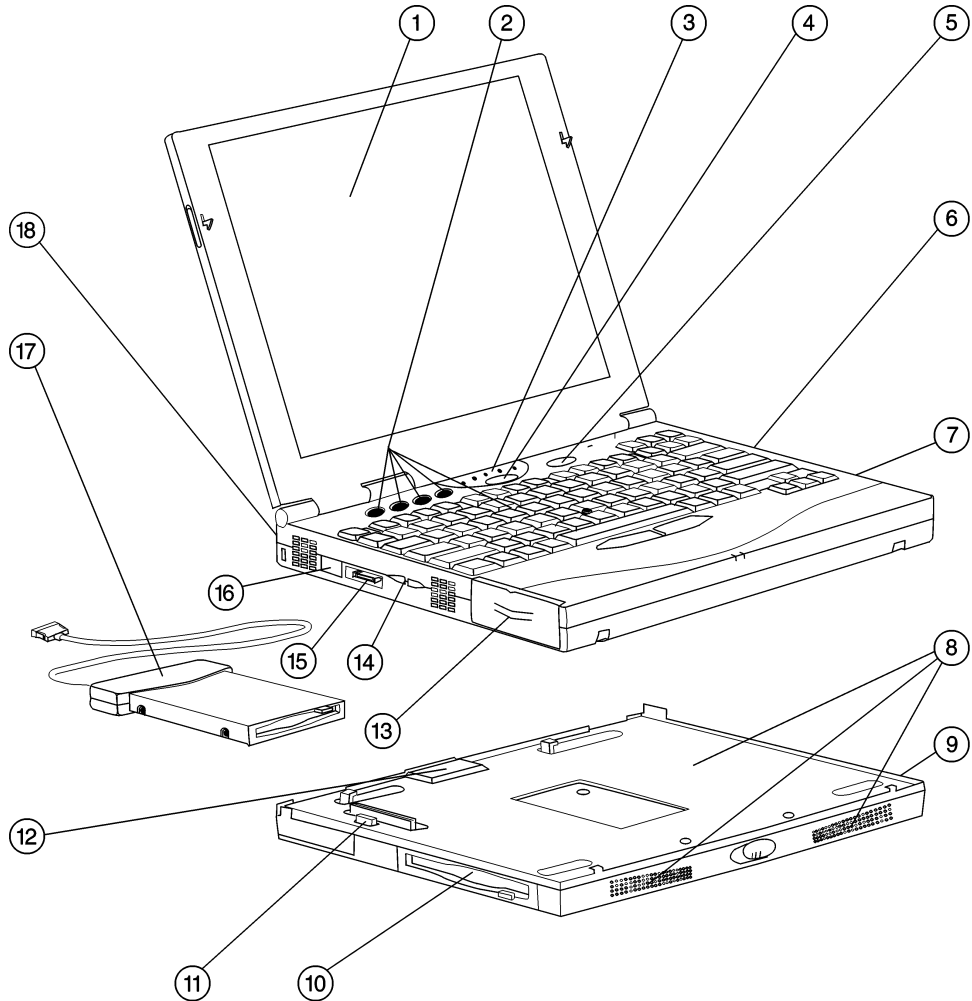


## Overview

### AT A GLANCE

- Lightweight Pentium® II notebook as light as 4.4 lbs/2 kg
- Intel Mobile Pentium II 333 to 366 with integrated 256-KB cache or Intel Mobile Pentium II processors from 266 to 300 MHz with 512-KB level two cache
- 12.1-inch CTFT display (SVGA) or 13.3-inch CTFT display (XGA)
- Magnesium alloy display enclosure
- High flexibility with Mobile 3500 Expansion Unit, which supports SuperDisk LS-120 Drive, Iomega Zip drive, diskette drive, or a second Hard Drive
- Wide palm rest and multi-functional EasyPoint IV™ Pointing Stick
- 64-bit PCI local bus graphics
- 32 MB and 64 MB SDRAM of standard memory, expandable up to 192 MB
- 4.1- or 6.4-GB<sup>1</sup> SMART Hard Drives
- Full-sized 101-key compatible keyboard
- Intelligent Manageability for lower total cost of ownership
- Compaq Services, including a three-year, Worldwide Limited Warranty<sup>2</sup> with second business day<sup>3</sup> expedited pick-up and repair in North America



1. Display
2. Full-Sized Keyboard with Four User-programmable Keys
3. LEDs
4. Suspend/Resume Button
5. Power Switch
6. PC Card Slots
7. Speakers
8. Speakers, Subwoofer
9. Fixed 24X Max<sup>4</sup> CD-ROM Drive or DVD-ROM Drive
10. MultiBay (supports second Hard Drive [with adapter], SuperDisk LS-120 Drive, Zip Drive or floppy diskette drive)
11. Expansion connector
12. AC Adapter
13. Li-Ion Battery
14. Volume Controls
15. External Diskette Drive port
16. USB Port
17. External Diskette Drive adapter (supports floppy diskette drive)
18. Headphone/Microphone Connector

### Standard Features

#### MODELS

##### Windows NT

6366/T/6400/0/0/3  
310400-xx6

6333/T/4100/0/0/3  
310350-xx6

6300/T/6400/0/0/3  
310300-xx6

6266/T/4100/0/0/3  
310200-xx6

##### Windows 98

6366/T/6400/0/0/2  
310400-xx4

6333/T/4100/0/0/2  
310350-xx4

6266/T/4100/0/0/2  
310200-xx4

##### Windows 95

6366/T/6400/0/0/1  
310400-xx1

6333/T/4100/0/0/1  
310350-xx1

6300/T/6400/0/0/1  
310300-xx1

6266/T/4100/0/0/1  
310200-xx1

#### Lightweight and Flexible Design

Ideal for the highly mobile professional, the Armada 3500 offers portability and flexibility. The Armada 3500 weighs as little as 4.4 pounds is only 1.3-inches thick, and features Pentium II performance, full-size displays and a full-size keyboard. For flexibility and changing needs, the Armada 3500 may be connected to the Mobile 3500 Expansion Unit (MEU) for CD-ROM or DVD-ROM and MultiBay capabilities. The MultiBay supports a diskette drive, a second hard drive (with adapter), a SuperDisk LS-120 Drive or an Iomega Zip Drive.

#### Processor

Intel Mobile Pentium II processor 366 MHz

6366/T/6400/0/0/3  
6366/T/6400/0/0/2  
6366/T/6400/0/0/1

Intel Mobile Pentium II processor 333 MHz

6333/T/4100/0/0/3  
6333/T/4100/0/0/2  
6333/T/4100/0/0/1

Intel Mobile Pentium II processor 300 MHz

6300/T/6400/0/0/3  
6300/T/6400/0/0/1

Intel Mobile Pentium II processor 266 MHz

6266/T/4100/0/0/3  
6266/T/4100/0/0/2  
6266/T/4100/0/0/1

#### Cache Memory

512-KB L2

6300/T/6400/0/0/2  
6300/T/6400/0/0/1  
6266/T/4100/0/0/3  
6266/T/4100/0/0/1

Integrated 256-KB L2

6366/T/6400/0/0/3  
6366/T/6400/0/0/2  
6366/T/6400/0/0/1  
6333/T/4100/0/0/3  
6333/T/4100/0/0/2  
6333/T/4100/0/0/1

## Standard Features

### Memory

---

Standard 32 MB  
Maximum 160 MB

6333/T/4100/0/0/3  
6333/T/4100/0/0/2  
6333/T/4100/0/0/1  
6266/T/4100/0/0/3  
6266/T/4100/0/0/2  
6266/T/4100/0/0/1

---

Standard 64 MB  
Maximum 192 MB

6366/T/6400/0/0/3  
6366/T/6400/0/0/2  
6366/T/6400/0/0/1  
6300/T/6400/0/0/3  
6300/T/6400/0/0/1

---

### Keyboard

---

101-key compatible keyboard with isolated, inverted-T cursor control keys, right-control key, four user-programmable keys, special feature hotkeys for instant access to power conservation, QuickLock/ QuickBlank, toggle between internal and external, or simultaneous displays, speaker volume control, brightness

### Pointing Device

---

Keyboard-integrated, textured, multi-functional EasyPoint IV Pointing Stick with press-to-select features with Function (Fn + F2) settings

### PC Card Slots

---

Two Type II/One Type III PC Card Slot(s) with CardBus<sup>5</sup>

---

### Storage

---

Diskette Drives 1.44 MB

---

#### Hard Drives

6.4-GB<sup>1</sup> SMART  
6366/T/6400/0/0/3  
6366/T/6400/0/0/2  
6366/T/6400/0/0/1  
6300/T/6400/0/0/3  
6300/T/6400/0/0/1

---

#### 4.1-GB<sup>1</sup> SMART

6333/T/4100/0/0/3  
6333/T/4100/0/0/2  
6333/T/4100/0/0/1  
6266/T/4100/0/0/3  
6266/T/4100/0/0/2  
6266/T/4100/0/0/1

## Standard Features

### Multimedia

---

Integrated 16-bit Sound Blaster Pro-compatible audio  
Integrated speaker  
Hardware/software volume control  
Headphone out jack  
Microphone in jack  
Software MPEG

### Interfaces

---

PC Card	Two Type II/One Type III Slot(s)
Enhanced Parallel	1
Serial	1
External Monitor	1
External Keyboard/ Pointing Device	1
Convenience Base	1
Headphone/Line-out	1
Microphone	1
AC Power	1
RJ-11	1
Infrared	1 (4 Mb/s <sup>6</sup> supported)
USB	1

### Graphics

---

Magnesium alloy display enclosure protects against the rigors of travel. The Armada 3500 also has 64-bit video graphics on a PCI local bus and 2-MB VRAM for increased color depth and graphics performance.

### Display

---

13.3-inch color XGA TFT with 1024 x 768 resolution and 24-bit true color (16.8M colors internal)

6366/T/6400/0/0/3  
6366/T/6400/0/0/2  
6366/T/6400/0/0/1  
6300/T/6400/0/0/3  
6300/T/6400/0/0/1

---

12.1-inch color SVGA TFT with up to 800 x 600 resolution and 24-bit true color (16.8M colors internal)

6333/T/4100/0/0/3  
6333/T/4100/0/0/2  
6333/T/4100/0/0/1  
6266/T/4100/0/0/3  
6266/T/4100/0/0/2  
6266/T/4100/0/0/1

## Standard Features

### Software

---

Windows NT Workstation 4.0  
Insight Management Agents  
Intelligent Manageability  
Security 32  
Diagnostics for Windows NT  
Compaq Power Management  
Online Safety and Comfort Guide  
Reference Guide  
Carbon Copy  
6366/T/6400/0/0/3  
6333/T/4100/0/0/3  
6300/T/6400/0/0/3  
6266/T/4100/0/0/3

---

Windows 98  
Insight Management Agents  
Intelligent Manageability  
Security 32  
Diagnostics for Windows 98  
Compaq Power Management  
Online Safety and Comfort Guide  
Reference Guide  
Carbon Copy  
6366/T/6400/0/0/2  
6333/T/4100/0/0/2  
6266/T/4100/0/0/2

---

Windows 95  
Insight Management Agents  
Intelligent Manageability  
Security 32  
Diagnostics for Windows 95  
Compaq Power Management  
Online Safety and Comfort Guide  
Reference Guide  
Carbon Copy  
6366/T/6400/0/0/1  
6333/T/4100/0/0/1  
6300/T/6400/0/0/1  
6266/T/4100/0/0/1

---

### OS Support

---

Windows NT Workstation 4.0  
Windows 98  
Windows 95

### Intelligent Manageability

---

The Armada 3500 lowers total cost of ownership by providing enhanced security, asset management and fault prediction with SMART drives.

### Security

---

Cable lock support  
Power-on and setup passwords  
Ability to disable serial port, parallel port, diskette drive, diskette drive boot sequence  
Drive Lock for advanced data protection  
QuickLock  
QuickBlank  
To experience full Compaq PremierSound™ add the MEU containing stereo speakers and subwoofer.

---

## *Standard Features*

---

### **Power Supply**

The external AC Adapter weighs approximately 0.6 lbs/0.27 kg and allows system operation and battery charge from up to 10 feet away from a power source.

---

### **Battery**

The Li-Ion Battery provides over 2 hours of battery life<sup>7</sup>. An optional Extended Life Li-Ion Battery provides over 3 hours of battery life<sup>7</sup>.

---

### **Power Conservation**

The Power Conservation provides Hibernation, Instant-On via Standby; pop-ups with three presets and one custom level of power conservation, as well as ACPI hardware-ready support.

---

### **Service and Support**

Compaq Services provides a range of services for the Armada 3500, including a three-year, Worldwide Limited Warranty<sup>2</sup>, with 7 x 24 service line at 1-800-OK-Compaq (1-800-652-6672) and a free one-year, second business day<sup>3</sup> pick-up and delivery service from Compaq. All shipping and handling materials are supplied by Compaq.

## Options

### Memory

128-MB SDRAM Memory Modules	315177-B21
64-MB SDRAM Memory Modules	314891-B21
32-MB SDRAM Memory Modules	314890-B21

### Monitors<sup>8</sup>

TFT8000 Flat Panel	307906-001
TFT5000 Flat Panel	325700-001
P1610 Color <sup>9</sup>	305708-001
P1100 Color <sup>9</sup>	325606-001
P900 Color	386326-001
P700 Color	380207-001
P110 Color <sup>9</sup>	325600-001
P75 Color	307806-001
V1100 Color	386472-001
V1000 Color	351757-001
V900 Color	303500-001
V500 Color	325900-001
V700 Color	325800-001
S910 Color	138485-001
S900 Color	152991-001
S710 Color	360512-001
S700 Color	360512-001

### Hard Drives

6.4-GB <sup>1</sup> SMART Hard Drive (MEU)	310380-B21
6.4-GB <sup>1</sup> SMART Hard Drive (CPU)	310313-B21
4.1-GB <sup>1</sup> SMART Hard Drive (CPU)	310312-B21

### Expansion/Convenience Bases

24X Max <sup>4</sup> CD Mobile 3500 Expansion Unit	310250-001
DVD Mobile 3500 Expansion Unit	310330-001
Convenience Base II (Ethernet) <sup>10</sup>	316239-001
Convenience Base II (Pass-Through) <sup>10</sup>	316238-001
Convenience Base Monitor Stand	316246-B21

### MultiBay Devices for the Mobile 3500

#### Expansion Bases

SuperDisk LS-120 Drive	310314-B21
lomega Zip Drive	310315-B21
6.4-GB <sup>1</sup> SMART Hard Drive	310380-B21

### PC Card/Communications

USB CardBus Card	
Compaq Microcom 420 56K <sup>11</sup> Global Fax Modem PC Card	296501-B21
Compaq Microcom 550 Combo PC Card	317900-001
Compaq Ethernet LAN PC Card	321550-001
10/100 TX PC Card UTP Controller	224750-001
10 T PC Card UTP Controller	335506-B21
10 2 PC Card Coax Controller	292806-B21
10/100 TX PC Card UTP Controller Upgrade	292807-B21
16/4 TR PC Card IBM UTP/STP Controller	292813-B21

For additional compatible PC Cards, view the Compaq PC Card Solution List on the Compaq website at <http://www.compaq.com/support/techpubs/pcmcia/pccardlist.html>.

### Power

3-Wire Power Cord, 10-foot	217932-002
Extended Life Battery, 9 cell Li-Ion	217932-002
Auto/Aircraft Adapter	310316-B21

### Input Devices

External Enhanced III Keyboard (beach gray)	110562-001
External Enhanced III Keyboard (opal)	110562-001
External Enhanced III Keyboard (carbon)	294343-001
Compaq Mouse (beach gray)	118003-xx8
Compaq Mouse (opal)	143315-001
Compaq Mouse (carbon)	143315-B21

### Other

Security Lock	294316-B21
Portable Video Conferencing Kit	294316-B21
Armada Headset with Microphone	296954-001
Universal Monitor Stand	220460-001

### Carrying Cases

CPQ Value Case	294260-B21
CPQ Workstation Case	294260-B21
CPQ Global Case	294267-B21
CPQ Professional Case (Nylon)	294268-B21
CPQ Professional Case (Leather)	401366-B21

For additional Compaq Brand cases, call 1-800-888-5903.

## Memory

Compaq Armada 3500 6266/T/4100/0/0/1, 6266/T/4100/0/0/2, 6266/T/4100/0/0/3, 6333/T/4100/0/0/1, 6333/T/4100/0/0/2, 6333/T/4100/0/0/3

### STANDARD MEMORY

32 MB Standard on System Board

Standard	Slot
32 MB	1 Empty

### STANDARD MEMORY PLUS

#### OPTIONAL MEMORY

Support for up to 160 MB of memory is available with the installation of optional SDRAM Memory Kits.

Up To	Slot
64 MB	1 32 MB
96 MB	64 MB
160 MB	128 MB

Following are memory options available from Compaq:

- 128-MB SDRAM Memory Kit 315177-B21
- 64-MB SDRAM Memory Kit 314891-B21
- 32-MB SDRAM Memory Kit 314890-B21



## Memory

Compaq Armada 3500 6300/T/6400/0/0/1, 6300/T/6400/0/0/3, 6366/T/6400/0/0/1, 6366/T/6400/0/0/2, 6366/T/6400/0/0/3

### STANDARD MEMORY

64 MB Standard on System Board

Standard	Slot
64 MB	1 Empty

### STANDARD MEMORY PLUS

#### OPTIONAL MEMORY

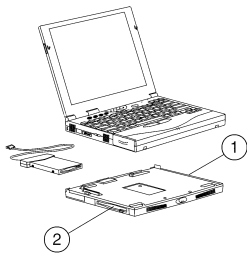
Support for up to 192 MB of memory is available with the installation of optional SDRAM Memory Kits.

Up To	Slot
96 MB	1 32 MB
128 MB	64 MB
192 MB	128 MB

Following are memory options available from Compaq:

- 128-MB SDRAM Memory Kit 315177-B21
- 64-MB SDRAM Memory Kit 314891-B21
- 32-MB SDRAM Memory Kit 314890-B21

## Storage



- 1 Integrated in Mobile 3500 Expansion Unit Optical Bay
- 2 Mobile 3500 Expansion Unit MultiBay

### DRIVE SUPPORT

	Quantity Supported	Drive Bay Supported
<b>MEU Drive Support</b>		
1.44-MB Diskette Drive	Up to 1	Mobile 3500 Expansion Unit MultiBay
SuperDisk LS-120 Drive	Up to 1	Mobile 3500 Expansion Unit MultiBay
Imega ZIP Drive	Up to 1	Mobile 3500 Expansion Unit MultiBay
6.4-GB <sup>1</sup> SMART Hard Drive	Up to 1	Mobile 3500 Expansion Unit MultiBay
24X Max <sup>4</sup> CD MEU	Up to 1	Integrated in Mobile 3500 Expansion Unit Optical Bay
DVD MEU	Up to 1	Integrated in Mobile 3500 Expansion Unit Optical Bay
<b>CPU Hard Drive Support</b>		
6.4-GB <sup>1</sup> SMART Hard Drive	Up to 1	System Upgrade
4.1-GB <sup>1</sup> SMART Hard Drive	Up to 1	System Upgrade

## Technical Specifications

### System Unit

<b>Dimensions (HxWxD)</b>	
Stand alone system	9.3 x 11.8 x 1.3 in/23.6 x 30 x 3.3 cm
<b>Weight (system only)</b>	
<b>Models with 13.3-in Display</b>	
Stand alone Configured	
CPU Only	4.8 lbs/2.2 kg
With AC Adapter and Power Cord	5.7 lbs./2.6 kg
(Total Carrying weight)	
With External FDD Configured	
Without Power Cord	5.5 lbs/2.5 kg
With Power Cord	6.4 lbs/2.9 kg
(Total Carrying weight)	
<b>Models with 12.1-in Display</b>	
(6266 and 6333)	
Stand alone Configured	
CPU Only	4.4 lbs/2 kg
With AC Adapter and Power Cord	5.3 lbs./2.4 kg
(Total Carrying weight)	
With External FDD Configured	
Without Power Cord	5.1 lbs/2.3 kg
With Power Cord	6 lbs/2.7 kg
(Total Carrying weight)	
<b>Stand-Alone Power Requirements</b>	
Maximum Operating Power	20W
Peak Operating Power	28W (with MEU)
<b>Power Supply (External AC Adapter)</b>	
Rated Input Voltage	100 to 240 VAC
Rated Input Current	1 A
Line Frequency	50 to 60 Hz
<b>Temperature</b>	
Operating	50° to 95°F/10° to 35°C
Non-operating	-4° to 140°F/-20° to 60°C
<b>Relative Humidity</b>	
Operating	10% to 90% Relative humidity (Rh), non-condensing
Non-operating	5% to 95% Relative humidity (Rh), 101.6°F/38.7°C maximum wet bulb temperature
<b>Shock</b>	
Operating	10 G (11ms half-sine)
Non-operating	60 G (11ms half-sine)
<b>Vibration</b>	
Operating	0.25 F (5 to 500Hz, 1 octave/minute sweep rate)
Non-operating	1 G (5 to 500Hz, 1 octave/minute sweep rate)
<b>Maximum Altitude</b>	
Operating	10,000 ft/3048 m
Non-operating	30,000 ft/9,144 m

## Technical Specifications

### 12.1-Inch Color TFT SVGA 800 x 600 Display

<b>Dimensions (HxW)</b>	7.26 x 9.68 in/18.45 x 24.6 cm
<b>Diagonal Size</b>	12.1 in/30.7 cm
<b>Mounting</b>	Internal
<b>Number of Colors</b>	Up to 16.8M with dithering
<b>Contrast Ratio</b>	150:1
<b>Brightness</b>	Over 135 cd/m <sup>2</sup>
<b>Pixel Resolution</b>	
Pitch	31 x 31 mm
Format	800 x 600
Configuration	RGB Stripe
<b>Backlight</b>	Edge Lit
<b>Character Display</b>	80 x 25
<b>Total Power Consumption</b>	7W

### 13.3-Inch Color XGA TFT 1024 x 768 Display

<b>Dimensions (HxW)</b>	10.6 x 7.9 in/26.9 x 20.1 cm
<b>Diagonal Size</b>	13.3 in/33.8 cm
<b>Mounting</b>	Internal
<b>Number of Colors</b>	Up to 16.8M with dithering
<b>Contrast Ratio</b>	Minimum 100:1
<b>Brightness</b>	Over 120 cd/m <sup>2</sup>
<b>Pixel Resolution</b>	
Pitch	0.264 x 0.264 mm
Format	1024 x 768
Configuration	RGB stripe
<b>Backlight</b>	Edge Lit
<b>Character Display</b>	80 x 25
<b>Total Power Consumption (maximum)</b>	7W

### Hard Drives

<b>6.4 GB<sup>1</sup></b>	<b>Capacity</b>	6.4 GB <sup>1</sup>	<b>Seek Time</b> (typical reads, including settling)	
	<b>Height</b>	1 in/25.4 mm	Single Track	3 ms
	<b>Size</b>	2.5 in/63.5 mm	Average	13 ms (read)
	<b>Interface</b>	ATA	Full-Stroke	23 ms
	<b>Transfer Rate</b>		Rotational Speed	4200 rpm
	Synchronous (Maximum)	33.3 MB/s	<b>Physical Configuration</b>	
			Bytes/sector	512
			<b>Operating Temperature</b>	
			41° to 131°F/5° to 55°C	

<b>4.1 GB<sup>1</sup></b>	<b>Capacity</b>	4.1 GB <sup>1</sup>	<b>Seek Time</b> (typical reads, including settling)	
	<b>Height</b>	1 in/25.4 mm	Single Track	4 ms
	<b>Size</b>	2.5 in/63.5 mm	Average	13 ms (read)
	<b>Interface</b>	ATA	Full-Stroke	23 ms
	<b>Transfer Rate</b>		Rotational Speed	4,009 rpm
	Synchronous (Maximum)	33.3 MB/s	<b>Physical Configuration</b>	
			Bytes/sector	512
			<b>Operating Temperature</b>	
			41° to 131°F/5° to 55°C	

## Technical Specifications

### Diskette Drive

<b>Diskette Size</b>	3.5 in
<b>Light</b>	On-System
<b>Height</b>	0.5 in/12.7 mm
<b>Bytes per Sector</b>	512
<b>Sectors per track</b>	
High density	18 (1.44 MB)/15 (1.2 MB)
Low density	9
<b>Tracks per side</b>	
High density	80 (1.44 MB)/80 (1.2 MB)
Normal density	80
<b>Read/Write heads</b>	2
<b>Access Times</b>	
Track-to-track (high/low)	3 ms/6 ms
Average (high/low)	94 ms/174 ms
Settling time	15 ms
Latency average	100 ms

### AC Adapter (External)

<b>Dimensions (HxWxL)</b>	1.1 x 1.8 x 4.3 in/2.7 x 4.4 x 10.5 cm
<b>Weight</b>	0.6 lbs/0.3 kg
<b>Power Supply (Input)</b>	
Voltage	100 to 240 VAC
Current	1 A
Input Frequency	50 to 60 Hz

### Standard Li-Ion Battery Pack

<b>Dimensions (HxWxL)</b>	0.9 x 8.6 x 2.64 in/2.4 x 21.8 x 6.7 cm
<b>Weight</b>	0.7 lbs/0.3 kg
<b>Cells</b>	6
<b>Energy</b>	
Voltage	10.8 V
Amp-hour capacity	3 Ah
Watt-hour capacity	32.4Wh
<b>Performance (Typical)</b>	
Charging time (6-cell)	2 hours non-operating/4 hours trickle charge
Battery Life (6-cell)	Over 2 hours <sup>7</sup>
Suspend Life (6-cell)	250 hours/10 days

### Extended Life Li-Ion Battery Pack (optional)

<b>Dimensions (HxWxL)</b>	0.9 x 11.2 x 2.6 in/2.4 x 28.4 x 6.7 cm
<b>Weight</b>	0.9 lb/0.4 kg
<b>Energy</b>	
Voltage	10.8 V
Amp-hour capacity	4.5 Ah
Watt-hour capacity	48.6Wh
<b>Performance</b>	
Battery Life (9-cell)	Over 3 hours <sup>7</sup>
Charging time (9-cell)	3 hours non-operating/5 hours trickle charge

## Technical Specifications

Mobile 3500 Expansion Unit - DVD and 24X<sup>4</sup> Max CD Models (optional)

<b>Dimensions (HxWxD)</b>	
Stand-alone	0.9 x 11.7 x 9 in/2.3 x 30 x 23.6 cm
With system	2.1 x 11.8 x 9.3 in/5.4 x 30 x 23.6 cm
<b>Weight</b>	2.6 lbs/1.2 kg
<b>Power Supply (Input)</b>	
Rated Voltage	100 to 240 VAC
Rated Current	1 Amp Maximum
Line Frequency	50 to 60 Hz

DVD Drive (integrated in the Mobile 3500 Expansion Unit)

<b>Compatible Disc Formats</b>	DVD: DCD-Video, DVD-ROM, DVD-R, CD-DA, CD-ROM, CD-XA (except ADPCM), CD-I ready, CD-R (read only), CD-Plus, Photo CD, CD-Extra, Video CD
<b>Center Hole Diameter</b>	15 mm
<b>Disc Diameter</b>	12 cm, 8 cm
<b>Disc Thickness</b>	1.2 mm
<b>Track Pitch</b>	1.6 $\mu$ m
<b>Laser</b>	
Beam divergence	53.5 $\pm$ 1.5 $^\circ$
Output power	0.13 $\pm$ 0.1mW
Type	Semiconductor Laser GaAlAs
Wave length	780 $\pm$ 25 nm
<b>Access Times (typical, including settling)</b>	
DVD-ROM	200 ms
CD-ROM	150 ms
<b>Audio Output Level</b>	
Line out	0.8 $\pm$ 0.27 Vrms
Headphone	None
<b>Cache Buffer</b>	128 KB
<b>Data Transfer Rate (typical, including settling)</b>	
DVD-ROM	2X CLV (2700 Kb/s)
CD-ROM	20X Max (3000 Kb/s)
Burst	16.66 Mb/s
<b>Start-up Time</b>	< 15 seconds
<b>Stop Time</b>	< 6 seconds

## Technical Specifications

**24X Max<sup>4</sup> CD Drive**  
(integrated in the Mobile  
3500 Expansion Unit)

<b>Compatible Disc Formats</b>	CD-ROM, CD_XA ready (Except ADPCM), CD-I ready, CD-DA, CD-R (read only), CD Plus, Photo CD (Single and Multi-session), CD-Extra, Video CD, CD-G, CD-RW
<b>Center Hole Diameter</b>	15 mm
<b>Disc Diameter</b>	8 cm
<b>Disc Thickness</b>	1.2 mm
<b>Track Pitch</b>	1.6 $\mu$ m
<b>Laser</b>	
Output power	0.24 $\pm$ 0.1mW
Type	GaAiAS double hetero laser diode
Wave length	780 nm at Ph-4.3mW
<b>Access Time</b>	
Random	150 ms (typical)
Full stroke	300 ms (typical)
<b>Audio Output Level – Line-Out</b>	0.8 $\pm$ 0.27 Vrms
<b>Cache Buffer</b>	128 KB
<b>Data Transfer Rates</b>	
Sustained	150 KB/s (sustained 1X)
Variable	1500 to 3600 KB/s (10X to 24X)
<b>Start-up Time</b>	< 8 sec
<b>Stop Time</b>	< 4 sec

<sup>1</sup> For Hard Drives, GB = Billion Bytes.

<sup>2</sup> Certain restrictions and exclusions apply. Service and support programs vary by geographic regions. Consult the Compaq Customer Support Center for details.

<sup>3</sup> Pick up and delivery service is available in 48 contiguous US States and Canada. Eligibility for priority pick-up (second business day return) is limited to certain geographic locations. Carry-in services available outside the US and Canada.

<sup>4</sup> Data transfer rates will vary from 150 KB/s to 3600 KB/s.

<sup>5</sup> Full support in Windows 9.x.

<sup>6</sup> IrDA 4 MB compliant. IR performance will vary depending on performance of IR peripherals and applications used.

<sup>7</sup> When tested in the standard configuration using the Ziff-Davis BatteryMark Test version 2.0, the battery life of the Armada 3500 will range over two hours. Using the extended Life Battery Option, the Armada 3500 will operate for over three hours of typical use.

With respect to suspend time the shipped battery can achieve over 250 hours while in standby mode. Standard configuration at time of announcement (6/15/98) is considered to be one battery, an 800 x 600 (16M colors) 12.1" panel, 32 MB memory RAM, and no drives other than the hard drive active.

<sup>8</sup> AssetControl monitor. AssetControl features are accessible with Compaq desktops featuring Intelligent Manageability.

<sup>9</sup> May not be compatible with the ArmadaStation Monitor Support Stand, the Convenience Base I, or the Convenience Base II due to weight limitations.

<sup>10</sup> Armada 1500 compatible.

<sup>11</sup> Designed only to allow faster downloads from V.90 and K56flex compliant sources. Maximum achievable download transmission rates currently do not reach 56KB/s, and will vary with line conditions. Modem only supports Windows 9.x and Windows NT 4.0.